

SHINWA CO.,LTD.

GENERAL CATALOG

- CORPORATE PROFILE
- SHINWA CATCHER
- SHINWA PALLET
- GENERAL SCAFFOLDING



We are the supporter of your bright future.

Since its founding, Shinwa has been working with our customers as a pioneer of temporary construction materials and distribution equipment.

A variety of products of ours are highly appraised by customers, including the system scaffolding “Catcher” featuring safety, functionality, and economy, and hanging pallets, contributing to the improvement of unloading safety.

We also strive to develop new products and improve existing products.

Shinwa will continue to grow by placing top priority on flexible thinking unbound by conventional concepts, and the attitude of valuing the opinions of frontline operations.

Our Mission

◆ We protect precious lives through our products and services.

We provide products and services that directly connect to safety, more specifically, the lives of people who use them.

We always conduct business bearing that in mind and never compromise on the quality of our products and services.

◆ We back up the motivation of employees to help them realize their dreams and futures.

We believe it is important that employees have dreams and exploit their full potential to make their dreams come true.

We do our best to help employees perform their job with pride and fulfillment, share the results, and pursue further growth.

Nationwide Network



Head Office

〒503-0311
30-7 Bushigawa Hirata-cho,
Kaizu-city, Gifu

TEL:+81-584-66-4411
FAX:+81-584-66-4522



Tsuchikura Factory

〒503-0322
478 Tsuchikura Hirata-cho,
Kaizu-city, Gifu

TEL:+81-584-66-4111
FAX:+81-584-66-4113



Tokyo Branch

〒101-0025
5F Sanpousakuma Building, 1-11
Sakuma-Cho Kanda,
Chiyoda-Ku, Tokyo

TEL:+81-3-5298-6298
FAX:+81-3-5298-6299



Osaka Branch

〒564-0063
10F Daidouseimei Esaka Building,
1-23-101 Esaka-Cho,
Suita-City, Osaka

TEL:+81-6-6386-4801
FAX:+81-6-6386-4802

Company Profile

Company name

Shinwa Co., Ltd.

President

Hiroshi Yamada

Head Office

30-7 Bushigawa Hirata-cho, Kaizu-city, Gifu
TEL:+81-584-66-4411 / FAX:+81-584-66-4522

Established

September 1977

Founded

August 1979

Capital

100 million yen

Number of employees

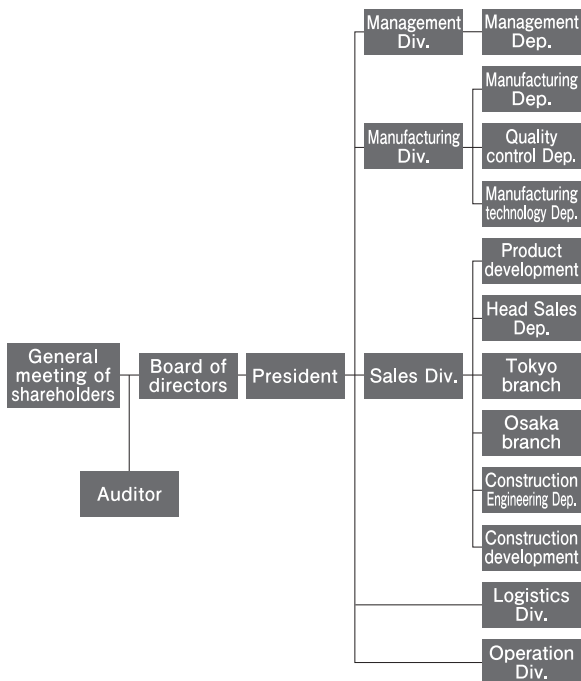
134(as of September 2015)

Accreditation System of the Scaffolding and Construction Equipment Association of Japan

Our factory produces temporary equipment according to the accreditation system of the Scaffolding and Construction Equipment Association of Japan. On top of maintaining the accuracy of products, we strive to improve the safety and convenience of a construction site through the creation of a framework for improving quality across the entire organization.



Organization



History

September, 1977

Shinwa shoten was established in Gifu Hashima for manufacturing and selling of building materials.

January, 1988

It was established the wedge fastening type temporarily scaffold division. "Catcher" business to manufacture and sell system scaffolding started.

April, 1990

We have established Kanto Branch in Saitama-city, Saitama.

March, 1997

We have established Tsuchikura factory in Kaizu-city, Gifu.

May, 2003

We have established logistics pallet factory in Tsuchikura factory.

July, 2007

We have established Osaka Branch in Suita-city, Osaka.

August, 2007

Shinwa Service Co.,Ltd became a wholly owned subsidiary company.

November, 2011

We have integrated Sales Office,Rental Business Office, and Construction work Division to Sugito Sugito Equipment Distribution Center.

November, 2013

We have newly opened Tokyo Branch at Kanda,Chiyoda-ku ,Tokyo.



Sugito Equipment Distribution Center

〒345-0032
39 Hirotonuma, Sugito-cho,
Kitakatsushika-Gun, Saitama

TEL:+81-480-36-7721
FAX:+81-480-36-7722



Shinwa Service (Subsidiary Company) Head Office

〒811-2104
228-3 Ino, Umi town,
Kasuya-Gun, Fukuoka
TEL:+81-92-932-9731
FAX:+81-92-932-9733



Shinwa Service (Subsidiary Company) Nagasaki Branch

〒854-0065
5-64, Tsukuba town,
Isahaya-city, Nagasaki
TEL:+81-957-26-9722
FAX:+81-957-26-9752

Shinwa's capability supports the construction site.

Shinwa always places importance on the dialogue with customers in order to improve the level of safety, quality, lead-time management, and price competitiveness. We always share issues and challenges of construction sites between our departments to devote ourselves to solving the problems.

Issues and challenges of construction sites

Need more convenient products

Lack of personnel and materials

Want to know new technologies



Customer

Shinwa's strengths

Manufacturing and sales

- Production of temporary construction materials
Top class in Japan
Monthly production of 4,000 tons or more
- Design and development of new products
- Development and manufacturing of custom-made products
- Manufacturing of various other products

Services

- Provision of the planning, management and services in construction
- Rental service of temporary construction materials
- Field tests for new products
- Various tests for improving the environment of construction sites

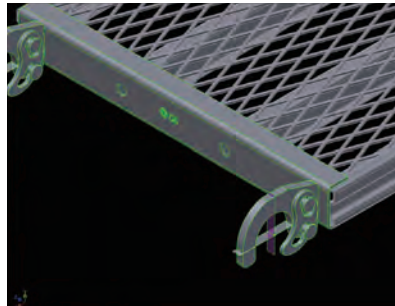
Information

- Provision of legal information to ensure safe operations
- Provision of information on the construction market trends and erecting operation procedures, etc.
- Provision of various materials for safety conventions or the like
- Provision of business know-how for the construction and rental businesses
- Introduction of temporary construction work providers

Shinwa's responsiveness



Over 100 high-performance welding robots support mass production.



We can respond to your needs promptly and accurately by making a drawing and studying the 3D model.



We repeatedly perform testing of new products, taking into account the opinions of construction sites and manufacturers.



We never stop speaking with our customers in order to respond to their various needs.



We can provide various materials for seminars and study meetings.



We collect information on the ever changing laws, regulations and other standards to help the business of our customers.

Information on construction sites is always shared in the company.

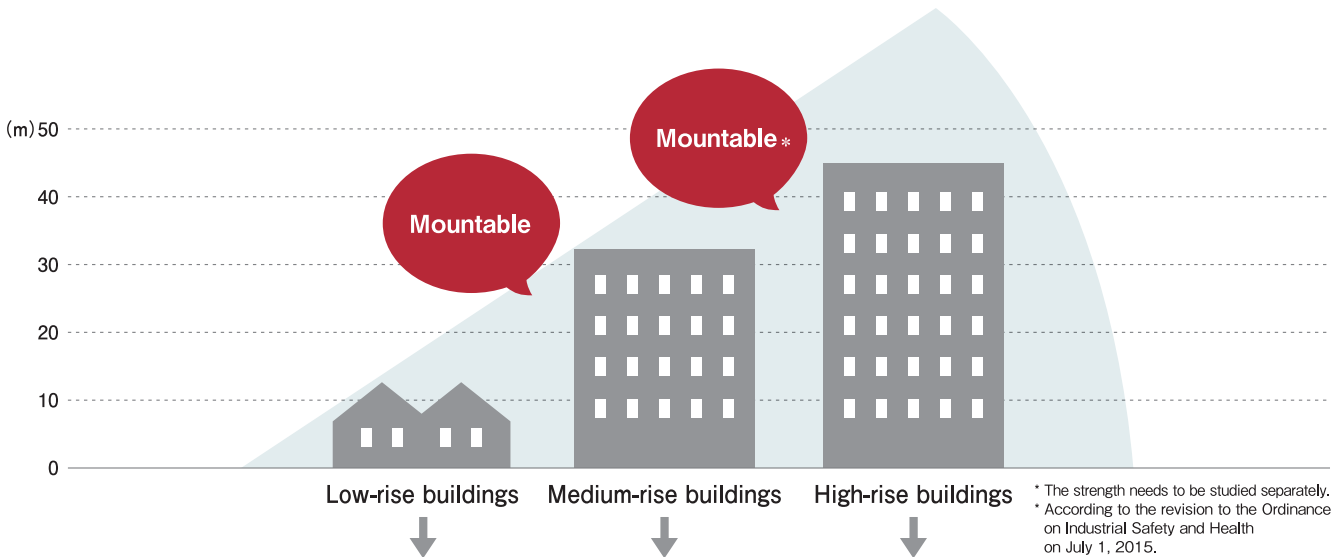
Issues and challenges of construction sites are resolved.

» Shinwa Catcher

We respond to our customers' needs with our advanced technologies

“Catcher” is constructed according to the *Technical Standards concerning Assembly and Use of Wedge Binding Scaffolding* established by the Scaffolding and Construction Equipment Association of Japan. We always develop new products and improve the existing products in order to improve safety and efficiency.

1 Strong : Strength and safety are guaranteed. Capable of making scaffolding without additional parts exceeding 31 m in height.



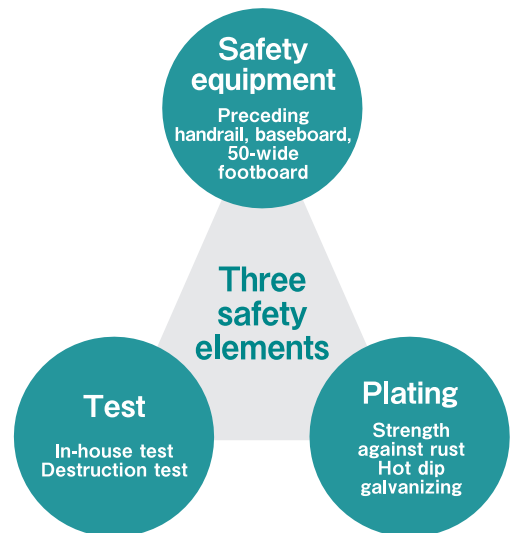
Shinwa Catcher can be installed in any type of building

We strive to improve safety to build a secure construction site.

In order to safely construct a scaffold in a range of buildings from low-rise buildings to high-rise buildings, we provide a variety of safety equipment such as preceding handrail safe hangers and baseboard safe angles and simple lift landing boxes, which contribute to improve efficiency in unloading. These types of products undergo a strength test in a laboratory built in our factory, and a field test in the Construction Development Department to ensure their great safety. The major components of “Catcher” are treated with hot-dip galvanizing on the surface, which is excellent for corrosion resistance. The protective coating and anti-corrosive properties of the hot dip galvanizing provide strength against rust.



Destruction test



2 Rich variety

A rich variety of products are available for even complex building structures.

The product can be tailored according to the scale and the use of the construction site.

“Catcher”, which can accommodate any structure of the construction site, is also unrivaled in the product lineup. “Catcher” is always prepared for production. We are always happy to receive inquiries for special-sized products. We provide consultation or suggestions on selecting the optimal scaffold on the basis of the information accumulated as an industry pioneer. The products include a scaffold using the handrail preceding method and a circular scaffold such as the tank or the stage scaffold.



3 Simple

The simple assembly and disassembly significantly cut time and labor.

How is Shinwa Catcher different from conventional methods?

Conventional methods

Three workers or more



Current situation



Bulky



Takes time

Shinwa Catcher

A team of two people



Reduction in labor



Compact



Shortens time

Three types of situations have been improved to enhance comfort at a construction site.

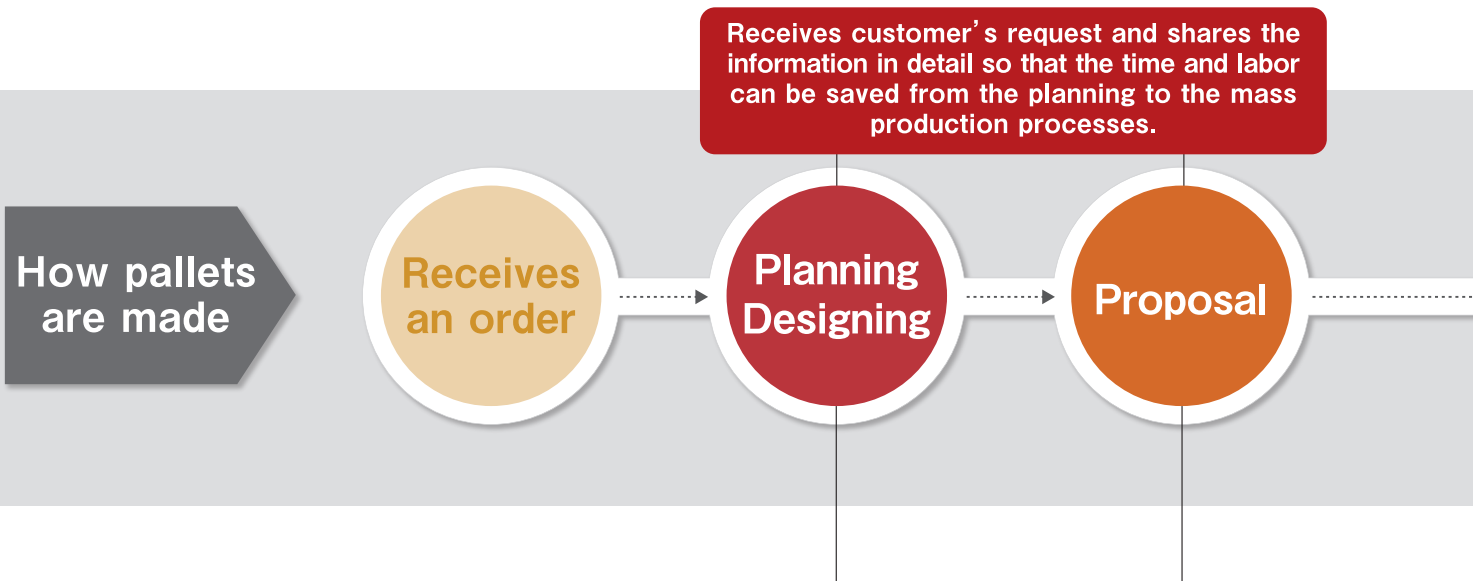
Each product has a lightweight and simple form, enabling easier assembly and disassembly compared with conventional methods. The construction can be completed by as few as two workers. Our products also have a low number of parts for compact binding, and thus are more efficient for transportation to the construction site, and take up little space for storage. The scaffolding can be completed simply by tightening wedges using a hammer, which can also reduce the assembly time because there is no need to position clamps and fasten bolts.

» Shinwa Pallet

Minimizes inconvenience in storage and transportation all at once. We propose the best solution for your needs.



The issues associated with distribution equipment are resolved by our one-stop service, integrating design, development, and maintenance. In developing a product, we make a proposal from various angles according to the needs of the customer.



POINT 1 We respond to any type of situation



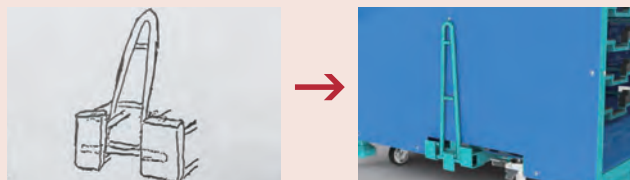
Please consult with us first.

Please tell us about your inconveniences. One of our development representatives will propose the optimal product for you.



Complete a drawing

An experienced development representative will create a drawing on the basis of your requests. In addition to the development of new products, we also manufacture improved products based on the existing holding products.



POINT 3 ⇒ A thorough management system

We always produce our products in our factory with stringent quality standards on the basis of the experience nurtured in the temporary construction material business. We also manage production overseas with the same stringent quality standards we have in Japan to maintain the system for assuring the security of our customers.



Prototype

Manufacturing

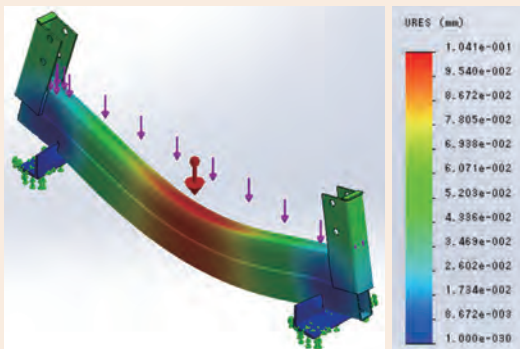
Delivery

Maintenance

POINT 2 ⇒ Two types of extra information in the drawing

+ Analysis data

In the proposed drawing, we provide analysis data that can visualize the amount of load and deflection and vulnerable parts in addition to the conventional three-dimensional drawing.



+ 3D image

We provide the completion image in 3D if the drawing is not clear enough. We review a product from various directions to avoid a situation where customers feel something is wrong when the product is completed.





System Scaffolding

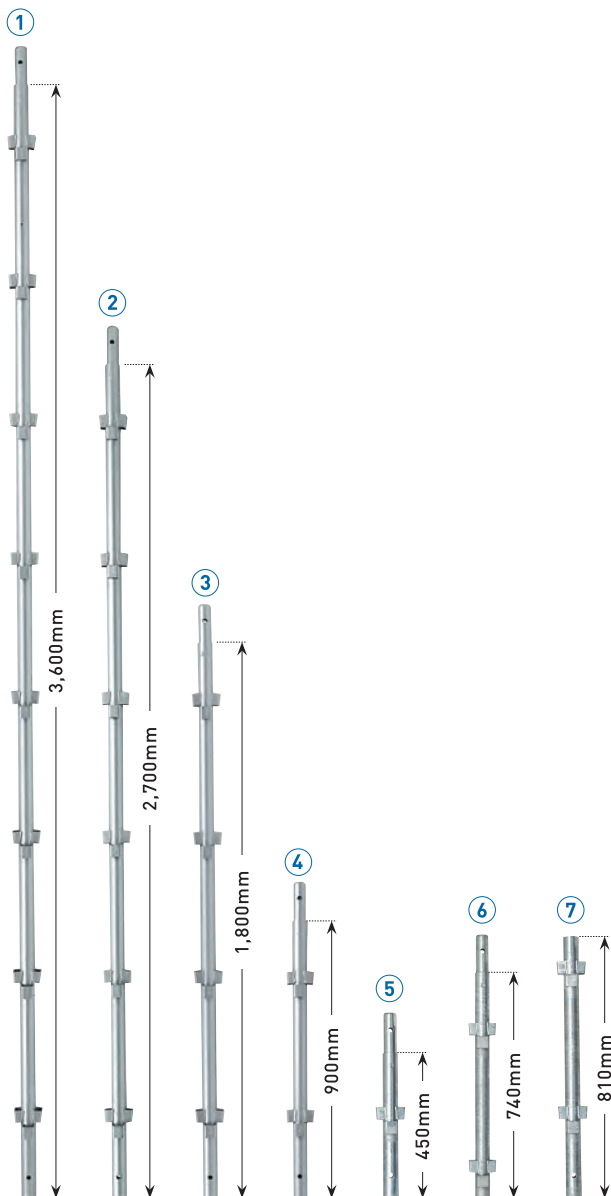
Shinwa Catcher

Shinwa Catcher is a standard model in system scaffolding market in Japan.

Distance between each wedge is 450mm.

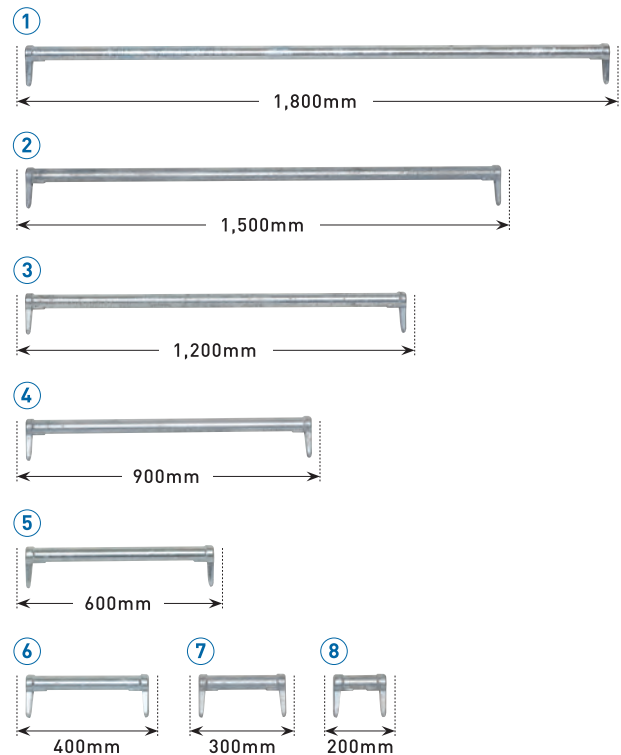
In a typical construction, height between each catwalk is 1,800mm.

Stilt



Product No.	Standards	Weight
①SA-36	φ48.6×3,600mm	13.1kg
②SA-27	φ48.6×2,700mm	10.0kg
③SA-18	φ48.6×1,800mm	6.8kg
④SA-09	φ48.6× 900mm	3.6kg
⑤SA-045	φ48.6× 450mm	2.0kg
⑥SA-08L	φ48.6× 740mm	3.5kg
⑦SA-09	φ48.6× 810mm	3.0kg

Handrail



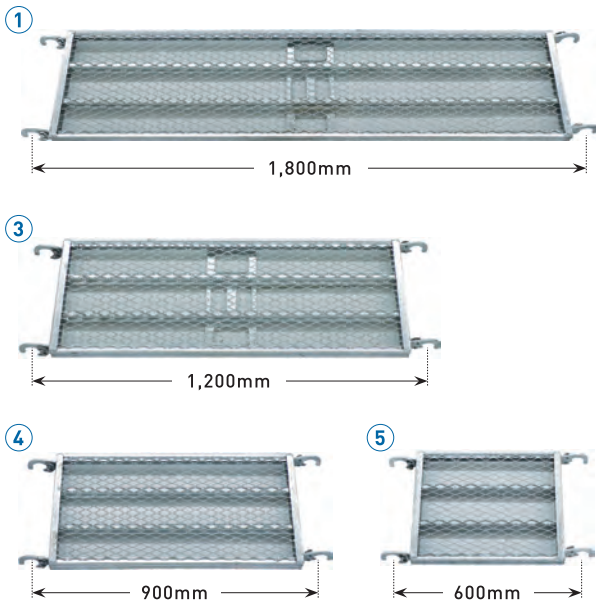
Product No.	Standards	Weight
①SC-18	φ42.7×1,800mm	4.3kg
②SC-15	φ42.7×1,500mm	3.8kg
③SC-12	φ42.7×1,200mm	3.0kg
④SC-09	φ42.7× 900mm	2.4kg
⑤SC-06	φ42.7× 600mm	1.7kg
⑥SC-04	φ42.7× 400mm	1.2kg
⑦SC-03	φ42.7× 300mm	1.0kg
⑧SC-02	φ42.7× 200mm	0.8kg

Lock Pin



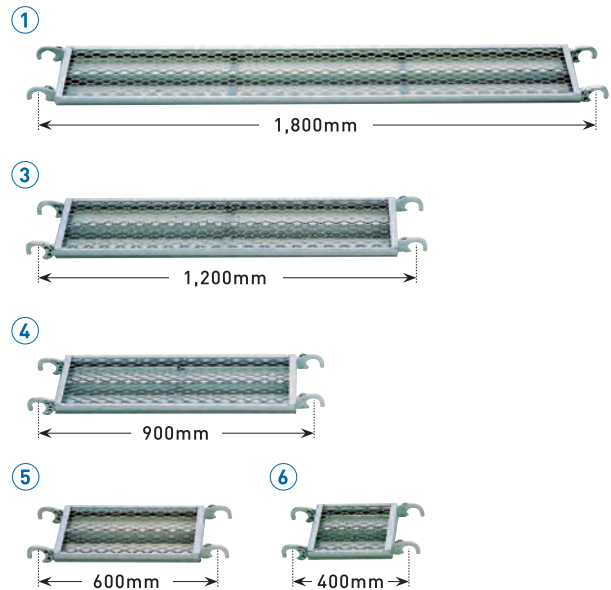
Product No.	Standards	Weight	Number contained
①SN-8	Inner type	12g	300 pcs
②SJ-1	Outer type	44g	200 pcs
③SN-1 N12	Outer type	160g	100 pcs

Catwalk (Width:400mm)



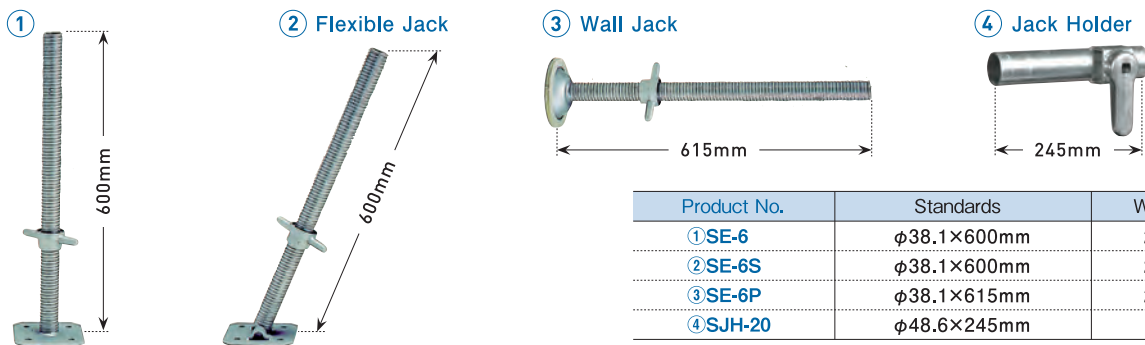
Product No.	Standards	Weight
①SD-4018N	400mm×1,800mm	13.8kg
②SD-4015N	400mm×1,500mm	11.7kg
③SD-4012N	400mm×1,200mm	10.0kg
④SD-4009	400mm× 900mm	7.5kg
⑤SD-4006	400mm× 600mm	5.5kg

Catwalk (Width:250mm)



Product No.	Standards	Weight
①SD-2518	250mm×1,800mm	9.7kg
②SD-2515	250mm×1,500mm	7.3kg
③SD-2512	250mm×1,200mm	6.8kg
④SD-2509	250mm× 900mm	5.5kg
⑤SD-2506	250mm× 600mm	4.0kg
⑥SD-2504	250mm× 400mm	3.3kg

Jack Base



Product No.	Standards	Weight
①SE-6	φ38.1×600mm	2.7kg
②SE-6S	φ38.1×600mm	2.8kg
③SE-6P	φ38.1×615mm	2.2kg
④SJH-20	φ48.6×245mm	1.1kg

Under Base

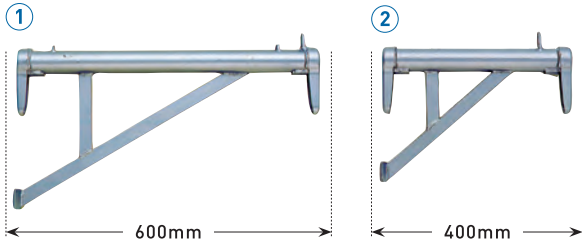


Product No.	Standards	Weight	Number contained
①SPB-24S	140 square Steel	0.8kg	20 pcs
②SPB-24	140 square Plastic	0.5kg	40 pcs
③SPB-600P	Universal type 120 & 140 square	1.5kg	10 pcs
④SRB-140	140 square Rubber	0.1kg	50 pcs



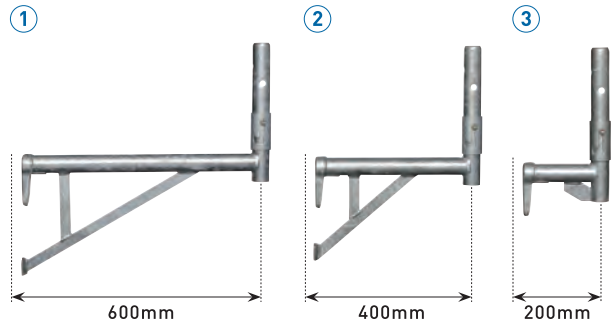
Shinwa Catcher

Bracket



Product No.	Standards	Weight
①SB-40	600mm (For 500mm & 400mm catwalk)	2.5kg
②SB-25	400mm (For 250mm catwalk)	1.8kg

Bracket Out



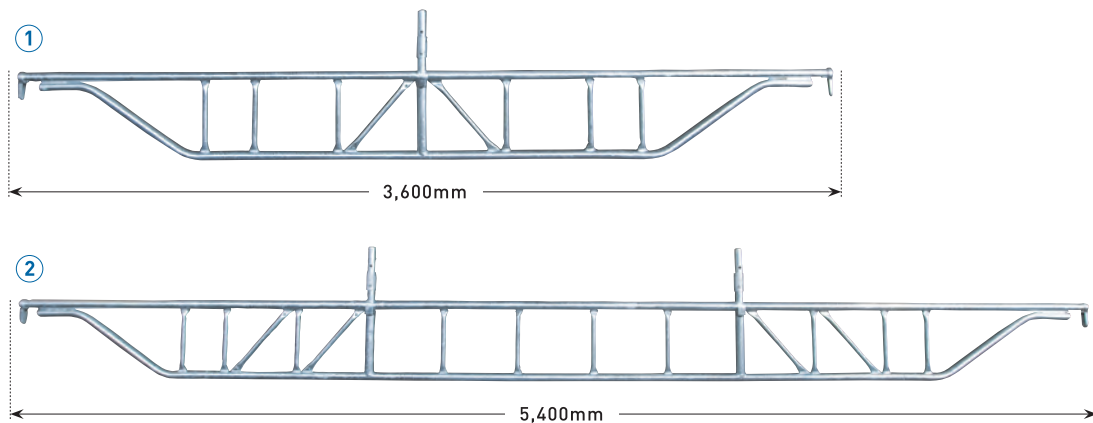
Product No.	Standards	Weight
①SBH-40	600mm (For 500mm & 400mm catwalk)	3.3kg
②SBH-25	400mm (For 250mm catwalk)	2.7kg
③SBH-20	200mm	1.8kg

Brace



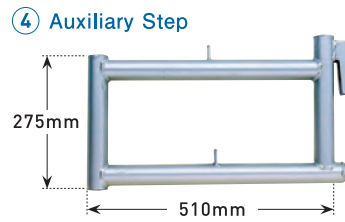
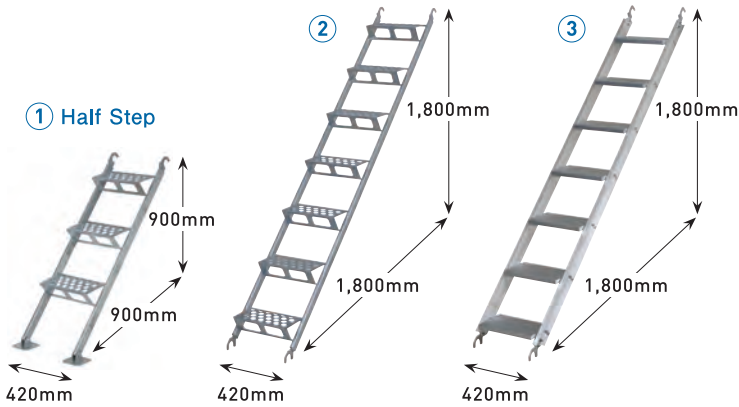
Product No.	Standards	Weight
①SL-18N	$\phi 27.2 \times 2,608\text{mm}$ (W1,800mm \times H1,800mm)	4.0kg
②SL-15N	$\phi 27.2 \times 2,074\text{mm}$ (W1,500mm \times H1,350mm)	3.5kg
③SL-12N	$\phi 27.2 \times 1,551\text{mm}$ (W1,200mm \times H 900mm)	2.7kg
④SL-09N	$\phi 27.2 \times 1,337\text{mm}$ (W 900mm \times H 900mm)	2.4kg

Truss



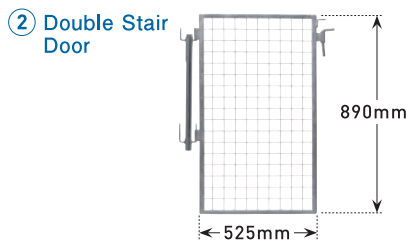
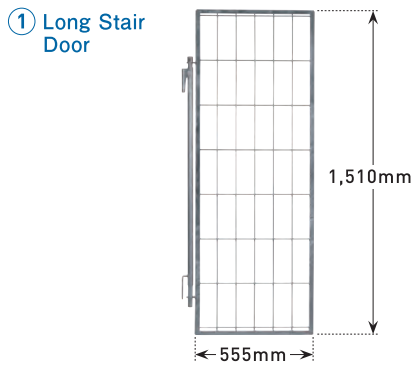
Product No.	Standards	Weight
①SG-36N	3,600mm (2span)	23.3kg
②SG-54N	5,400mm (3span)	37.9kg

Stairs



Product No.	Standards	Weight
①SH-19H	900mm× 900mm	10.8kg
②SH-18N3	1,800mm×1,800mm	17.4kg
③Aluminium Stairs	1,800mm×1,800mm	12.3kg
④SQ-N	510mm× 275mm	3.9kg

Stair Door



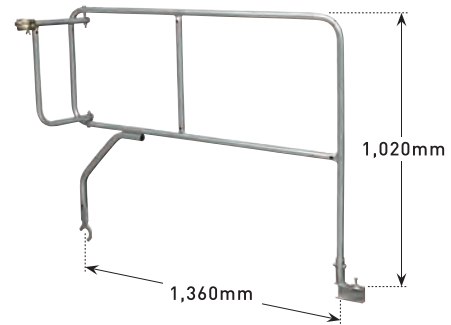
Product No.	Standards	Weight
①SHT-1510	555mm×1,510mm (Width:600mm)	8.1kg
②SHT-600N	525mm× 890mm (Width:600mm)	4.7kg

Stair Handrail



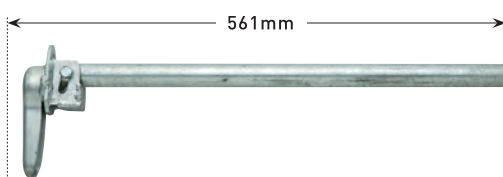
Product No.	Standards	Weight
SHC-18N	1,800mm×1,800mm	7.1kg

Ramp Guard (Railing Opening)



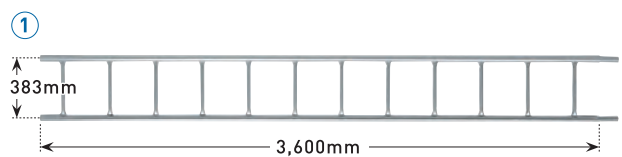
Standards	Weight
1,360mm×1,020mm	10.2kg

Prevention Approach Bracket



Product No.	Standards	Weight
SB-600G	φ27.2×561mm	1.0kg

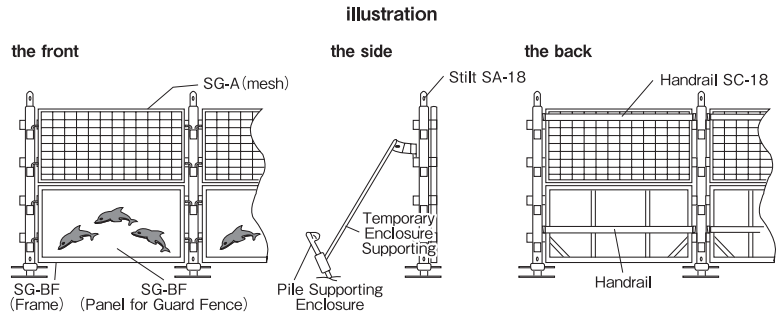
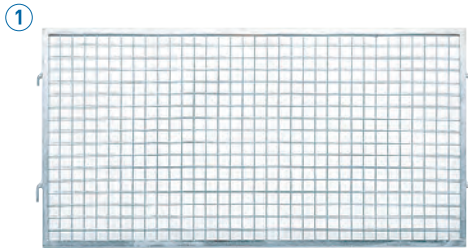
Ladder



Product No.	Standards	Weight
①SF-36	3,600mm	22.8kg
②SF-27	2,700mm	17.1kg
③SF-18	1,800mm	11.6kg



Guard Fence



Product No.	Standards	Weight
①SG-A (Mesh)	1,800mm×900mm	6.8kg
②SG-BF (Frame)	1,800mm×900mm	6.6kg

Option for Guard Fence

① Panel for Guard Fence (Plastic Corrugated)



③ Pile Supporting Enclosure



② Temporary Enclosure Supporting



Product No.	Weight
①SG-BP	2.6kg
②SP-16	3.7kg
③SPK-6	1.4kg

Safety Signs



We will print your company name.
We will customize your special order.

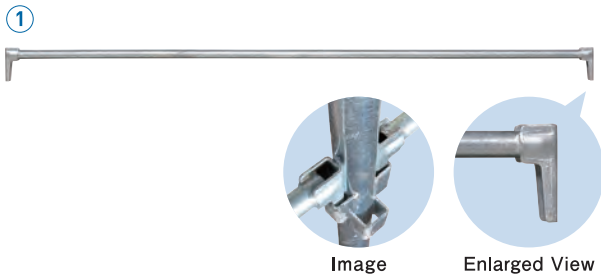
Product name	Standards	Material
①Small Plastic, Steel	360mm×450mm	Plastic, Steel
②Large Danpura	445mm×900mm	Plastic Corrugated

Safe Wing



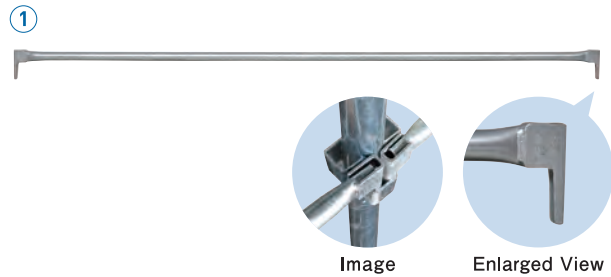
Standards	Weight
Buckling length 1,280mm angle 25 degrees	5.6kg

Intermediate Handrail



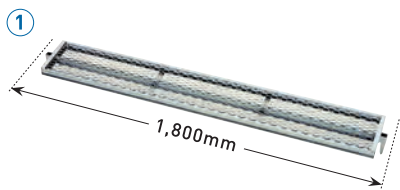
Product No.	Standards	Weight
①SCM-18	φ27.2×1,800mm	2.3kg
②SCM-15	φ27.2×1,500mm	2.1kg
③SCM-12	φ27.2×1,200mm	1.7kg
④SCM-09	φ27.2× 900mm	1.3kg
⑤SCM-06	φ27.2× 600mm	1.0kg

Side Handrail



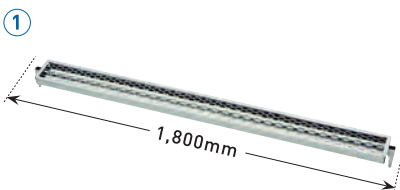
Product No.	Standards	Weight
①SNSA-18	φ27.2×1,800mm	2.4kg
②SNSA-15	φ27.2×1,500mm	2.1kg
③SNSA-12	φ27.2×1,200mm	1.7kg
④SNSA-09	φ27.2× 900mm	1.4kg
⑤SNSA-06	φ27.2× 600mm	1.1kg

Center Catwalk (Width:250mm)



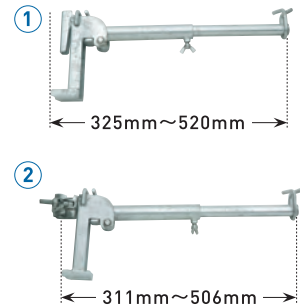
Product No.	Standards	Weight
①SDS-2518	250mm×1,800mm	9.4kg
②SDS-2512	250mm×1,200mm	6.5kg
③SDS-2509	250mm× 900mm	5.2kg
④SDS-2506	250mm× 600mm	3.7kg

Center Catwalk (Width:150mm)



Product No.	Standards	Weight
①SDS-1518	150mm×1,800mm	8.0kg
②SDS-1512	150mm×1,200mm	5.6kg
③SDS-1509	150mm× 900mm	4.3kg
④SDS-1506	150mm× 600mm	3.1kg

Net Bracket (Stretch Type)



Product No.	Standards	Weight
①SNBK (System Type)	325mm~520mm	2.0kg
②SNBC (Clamp Type)	311mm~506mm	2.2kg

Flexible Handrail



Product No.	Weight
SC-Z	1.0kg

Center Adapter



Product No.	Weight
SDS-A1	0.7kg

Long Center Adapter



Product No.	Weight
SDS-A1L	1.1kg

Side Adapter



Product No.	Weight
SM-120	0.6kg



Shinwa Pallet

The pallet produced on the basis of experience in special logistics equipment is a powerful tool in enhancing the efficiency of material warehouses and construction sites. Various types of pallets are available for your application, including the specifications for suspension, Catcher, and single tubes.

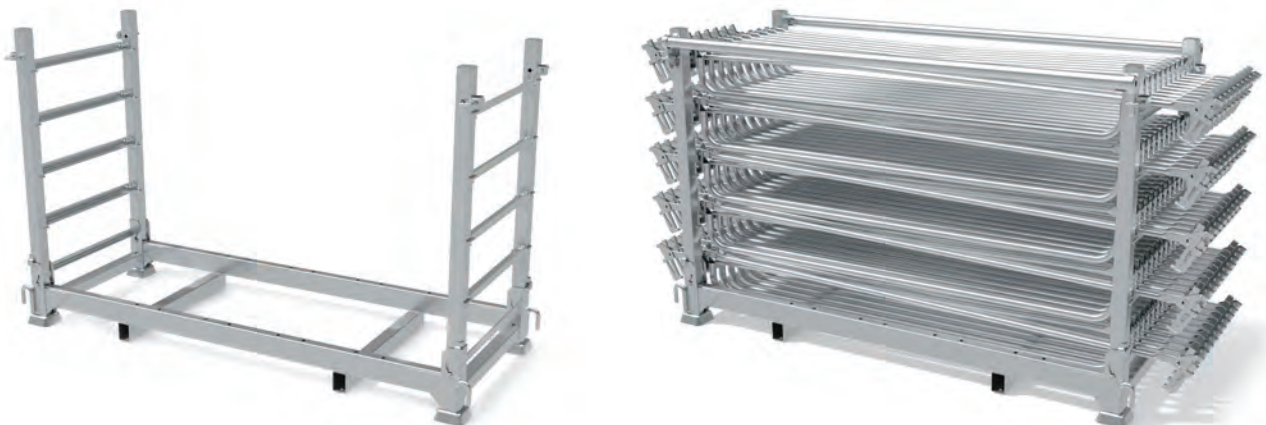
Hanging Pallet



Product No.	Casters	External size (mm)			Internal size (mm)			Weight (kg)	Wire diameter (mm)	Mesh pitch (mm)	Leg height (mm)	Loading capacity (kg)	Loading capacity in hanging (kg)
		Depth	Width	Height	Depth	Width	Height						
①SHP-3	None	1,015	1,172	897	953	1,129	690	106	6.0	50×50	98	2,000	800
②SHP-3R/U	4 casters			978				113			178	※	※

※Maximum loading capacity depends on allowable load of casters

Pallet for Preceding Handrail



Size (mm)			Weight (kg)	Surface treatment	Loading capacity
Width	Depth	Height			
1,849	724	1,138	59	Hot-dip Galvanized	50

Pallet for System Scaffolding



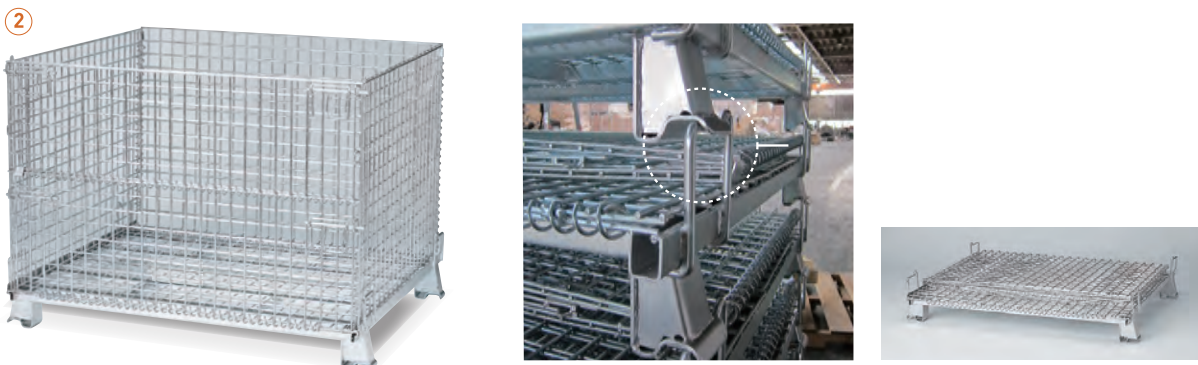
Product No.	Height (mm)		Width (mm)	Depth (mm)	Weight (kg)	Surface treatment	Loading capacity (kg)	Loading capacity in hanging (kg)
	Folding	Loading						
①SCP-S	442	917	1,085	815	51	Hot-dip Galvanized	2,000	1,000
②SCP-L	442	917	1,740	815	62			

Pallet for Pipes



Product No.	Height (mm)		Width (mm)	Depth (mm)	Weight (kg)	Surface treatment	Loading capacity (kg)	Loading capacity in hanging (kg)
	Folding	Loading						
①STP-S	442	702	900	645	43	Hot-dip Galvanized	2,000	1,000
②STP-L	442	702	1,930	645	57			

Mesh Pallet



Product No.	Surface treatment	External size (mm)			Internal size (mm)			Weight (kg)	Wire diameter (mm)	Mesh pitch (mm)	Leg height (mm)	Loading capacity (kg)
		Width	Depth	Height	Width	Depth	Height					
①SPC-1008E	Electroplated	1,000	800	850	960	760	700	50	6.0	50×50	100	1,500
②SPC-1210E	Electroplated	1,200	1,000	900	1,160	960	750	70	6.0	50×50	100	2,000
③SPC-1210Z	Hot-dip Galvanized	1,200	1,000	900	1,160	960	750	70	6.0	50×50	100	2,000

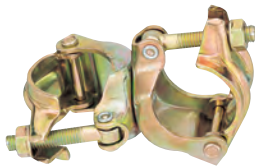


General Scaffolding

We can meet clients' requests flexibly through a wide range of product lineup from regular products(Clamps, Jack Bae, Various joints etc.) to customized products(Main Frame, Pipe support etc.)

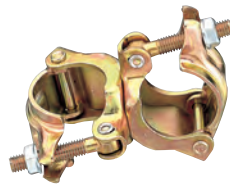
Clamps are electroplated

Fixed Clamp $\phi 48.6$



Product No.	Weight / pcs	Number contained
TTCL	0.74kg	30 pcs

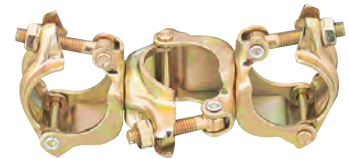
Fixed Clamp



Product No.	Weight / pcs	Number contained
KTCL	0.75kg	30 pcs

For $\phi 48.6$ & $\phi 42.7$ round pipe

Fixed Triple Clamp



Product No.	Weight / pcs	Number contained
3TTL	1.10kg	20 pcs

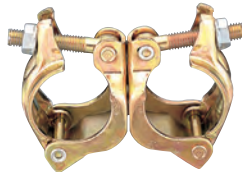
For $\phi 48.6$ round pipe

Swivel Clamp $\phi 48.6$



Product No.	Weight / pcs	Number contained
TZCL	0.74kg	30 pcs

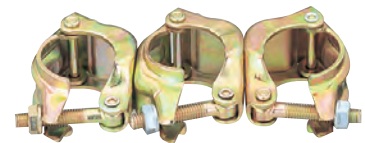
Swivel Clamp



Product No.	Weight / pcs	Number contained
KZCL	0.75kg	30 pcs

For $\phi 48.6$ & $\phi 42.7$ round pipe

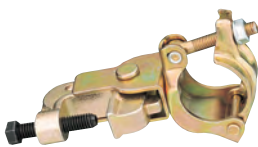
Swivel Triple Clamp



Product No.	Weight / pcs	Number contained
3TZL	1.10kg	20 pcs

For $\phi 48.6$ round pipe

Fixed Clamp for Iron Framework



Product No.	Weight / pcs	Number contained
SLTCL	1.23kg	20 pcs

For $\phi 48.6$ & $\phi 42.7$ round pipe

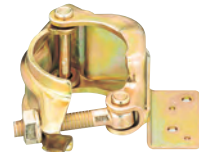
Square Clamp



Product No.	Weight / pcs	Number contained
KKTCL (Fixed)	1.12kg	20 pcs
KKZCL (Swivel)	1.13kg	20 pcs

For 60 square pipe

Rafter Stop Clamp



Product No.	Weight / pcs	Number contained
TKKCL (Fixed)	0.45kg	40 pcs
TKZCL (Swivel)	0.45kg	40 pcs

For $\phi 48.6$ round pipe

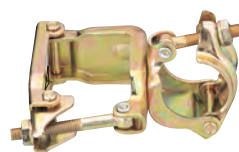
Swivel Clamp for Iron Framework



Product No.	Weight / pcs	Number contained
SLZCL	1.23kg	20 pcs

For $\phi 48.6$ & $\phi 42.7$ round pipe

Square and Round Clamp



Product No.	Weight / pcs	Number contained
KMTCL (Fixed)	0.92kg	20 pcs
KMZCL (Swivel)	0.92kg	20 pcs

For 60 square pipe
For $\phi 48.6$ round pipe

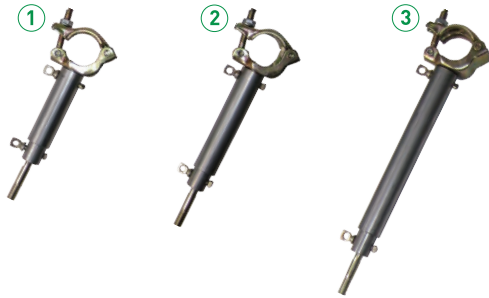
Sheet Clamp



Product No.	Weight / pcs	Number contained
KSCL	0.40kg	40 pcs

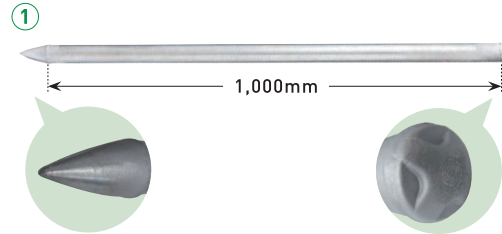
For $\phi 48.6$ & $\phi 42.7$ round pipe

Wall Tie



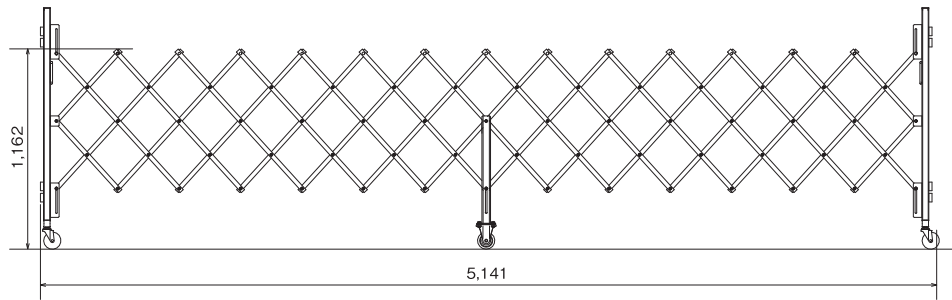
Product No.	Working range length	Weight / pcs	Number contained
①NK-1925II	190~ 250mm	0.95kg	25 pcs
②NK-2434II	240~ 340mm	1.14kg	20 pcs
③NK-3352II	330~ 520mm	1.51kg	15 pcs
④NK-5072II	500~ 720mm	2.05kg	10 pcs
⑤NK-7092II	700~ 920mm	2.53kg	10 pcs
⑥NK-90112II	900~ 1,120mm	2.94kg	10 pcs

Pile



Product No.	Standards	Weight
①SK-100N486	φ48.6×1,000mm	3.0kg
②SK-120N486	φ48.6×1,200mm	3.7kg
③SK-150N486	φ48.6×1,500mm	4.2kg
④SK-100N427	φ42.7×1,000mm	2.7kg
⑤SK-150N427	φ42.7×1,500mm	3.9kg

Aluminum Caster Gate

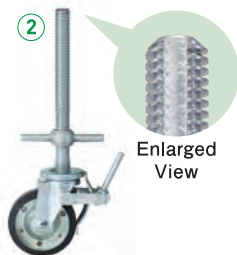


② Clamp for Installation



Product No.	Weight	Height	Width	Clear opening width	Width in folding	Height of bellows
①GTO-50S	21.3kg	1,403mm	5,141mm	4,640mm	501mm	1,162mm
②CGCL	0.5kg	-	-	-	-	-

Caster with Jack



Product No.	Weight / pcs	Number contained
①SCJ-130VS	5.4kg	2 pcs
②SCJ-150VS	5.5kg	2 pcs
③SCJ-200VS	6.6kg	2 pcs

Diameter of shaft with ditch is φ35

Fastening Plate for Baseboard



Product No.	Weight	Number contained
HKD-NT	0.30kg	40 pcs

Veranda Clamp



Weight
0.62kg

For φ48.6 & φ42.7 round pipe

Shinwa Catcher

Shinwa Pallet

General Scaffolding



General Scaffolding

Jack Base



Product No.	Standards	Weight	Number contained
①A-752	φ34×380mm 140 square	3.3kg	6 pcs
②A-752L	φ34×600mm 140 square	4.6kg	—

Hole of base plate is φ12
Electroplated

Pipe Jack Base



Product No.	Standards	Weight
SE-4	φ34×400mm 140mm square	2.3kg

Hole of base plate is φ12
Hot-dip Galvanized

Jack Base with Ditch



Product No.	Standards	Weight
①400L (A-752M)	φ34×400mm 140 square	3.3kg
②450L	φ34×450mm 140 square	3.7kg
③600L	φ34×600mm 140 square	4.3kg

Hole of base plate is φ12
Electroplated

Base Head



Product No.	Standards	Weight	Number contained
A-15	W150×D140×H100	2.4kg	10 pcs

Electroplated

U Jack



Product No.	Standards		Weight
	Pipe	U head	
①400L(A-752H)	φ34×400mm	W150×D140×H100	4.8kg
②600L(A-752HL)	φ34×600mm		6.0kg

Electroplated

Flexible Jack Base



Product No.	Standards	Weight
①400L	φ34×400mm 140 square	3.8kg
②600L	φ34×600mm 140 square	5.0kg
③400L with ditch	φ34×400mm 140 square	3.5kg

Hole of base plate is φ12

Straight Joint



Product No.	Weight	Number contained
ST-29NPII	0.53kg	30 pcs

Pipe:Pre-Galvanized, Collar:Electroplated

Stick Jack



Product No.	Standards		Weight
	Pipe	Collar	
A-75	φ34×580mm	φ42.7×150mm	4.2kg

Electroplated

Mini Jack Base



Product No.	Standards	Weight	Number contained
MJ-280	φ28×280mm 120 square	1.9kg	12 pcs

Hole of base plate is φ12
Electroplated

Joint Pin



Product No.	Weight
KJ-80III	0.6kg

Hot-dip Galvanized

Fixed Base Plate



Product name	Standards	Weight	Number contained
①Fixed Base Plate φ48.6	φ48.6 120 square	0.75kg	25 pcs
②Fixed Base Plate φ42.7	φ42.7 140 square	0.85kg	20 pcs

Pipe:Pre-Galvanized, Base Plate:Electroplated

Flexible Base Plate



Standards	Weight	Number contained
φ48.6 140 square	1.54kg	20 pcs

Hole of base plate is φ12
Electroplated

End Stopper



Working range length	Surface treatment	Weight
578mm~1,275mm	Galvanized	2.7kg

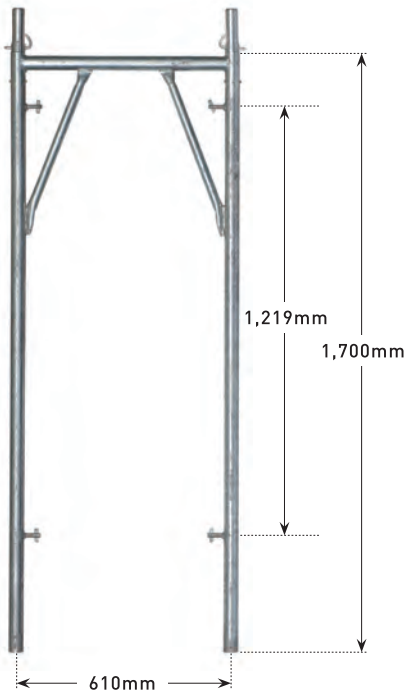
For $\phi 48.6$ & $\phi 42.7$ round pipe

Handrail for Frame Scaffolding



Product name	Product No.	Standards	Thickness of edge	Surface treatment	Weight
① Feather Rail	AK-18FN	$\phi 27.2 \times t1.2$	Less than 3mm	Galvanized	1.66kg
② Light Rail	AK-18LZ	$\phi 27.2 \times t1.6$	Less than 4mm	Galvanized	1.90kg

Main Frame



Product No.	Standards	Weight
AC-617	610mm×1,700mm	12.3kg

Hot-dip Galvanized

Pipe Support



Product No.	Working Range Length	Weight
SPS2-10S	318~ 445mm	4.2kg
SPS2-15	400~ 599mm	4.6kg
SPS2-20	599~ 992mm	5.8kg
SPS2-30	896~1,511mm	7.6kg
SPS2-40	1,202~2,071mm	9.5kg
SPS2-60	1,700~3,070mm	12.8kg
SPS2-70	2,116~3,483mm	14.0kg
SPS2-90	2,571~3,938mm	15.4kg

Hot-dip Galvanized

Telescopic Motion Bracket



Product No.	Working range	Weight	Number contained
① NKB-500	320~ 505mm	3.4kg	100 pcs
② NKB-750	520~ 755mm	4.4kg	100 pcs
③ NKB-1000	785~1,005mm	6.5kg	100 pcs

Hot-dip Galvanized, Only clamp Electroplated

A-14 (P2198) Brace



Product No.	Weight
A-14	4.2kg

Applicable for any length you need
Pre-Galvanized or Hot-dip Galvanized

Pipe Support Pin with Chain



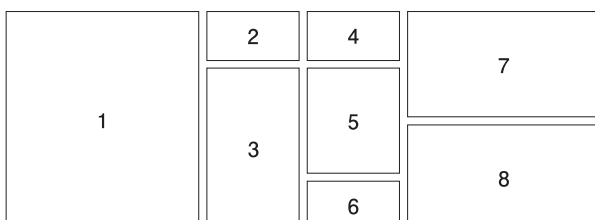
Weight	Number contained
0.12kg	200 pcs

Shinwa Catcher

Shinwa Pallet

General Scaffolding

Example of Construction



1. Plant renovation
2. Foundation work for viaduct
3. Renovation of highrise condominium

4. Major assembling and major dismantling
5. Plant renovation
6. Steel support for viaduct
7. Viaduct
8. Suspended scaffolding



SHINWA CO.,LTD.

■ Head Office

〒503-0311
30-7 Bushigawa Hirata-cho, Kaizu-city, Gifu
TEL:+81-584-66-4411 / FAX:+81-584-66-4522

■ Tsuchikura Factory

〒503-0322
478 Tsuchikura Hirata-cho, Kaizu-city, Gifu
TEL:+81-584-66-4111 / FAX:+81-584-66-4113

■ Tokyo Branch

〒101-0025
5F Sanpousakuma Building, 1-11 Sakuma-Cho Kanda, Chiyoda-Ku, Tokyo
TEL:+81-3-5298-6298 / FAX:+81-3-5298-6299

■ Osaka Branch

〒564-0063
10F Daidouseimei Esaka Building, 1-23-101 Esaka-Cho, Suita-City, Osaka
TEL:+81-6-6386-4801 / FAX:+81-6-6386-4802

■ Sugito Equipment Distribution Center

〒345-0032
39 Hirotonuma, Sugito-cho, Kitakatsushika-Gun, Saitama
TEL:+81-480-36-7721 / FAX:+81-480-36-7722

■ Shinwa Service (Subsidiary Company) Head Office

〒811-2104
228-3 Ino, Umi town, Kasuya-Gun, Fukuoka
TEL:+81-92-932-9731 / FAX:+81-92-932-9733

■ Shinwa Service (Subsidiary Company) Nagasaki Branch

〒854-0065
5-64, Tsukuba town, Isahaya-city, Nagasaki
TEL:+81-957-26-9722 / FAX:+81-957-26-9752

Website: <http://www.shinwa-jp.com/>
E-mail: global-support@shinwa-jp.com